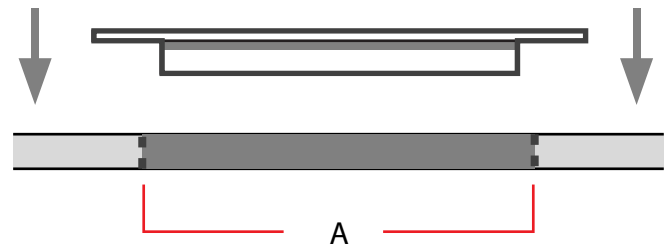
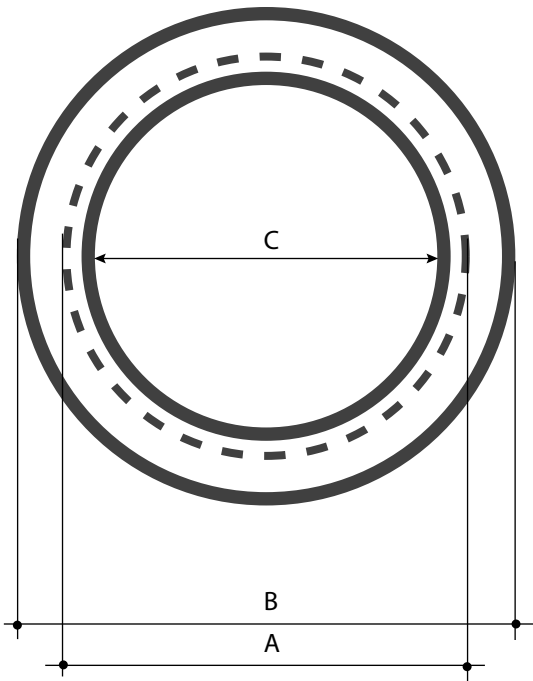




ROUND

Teräksinen Upotuskaulus Stainless Integration Collar



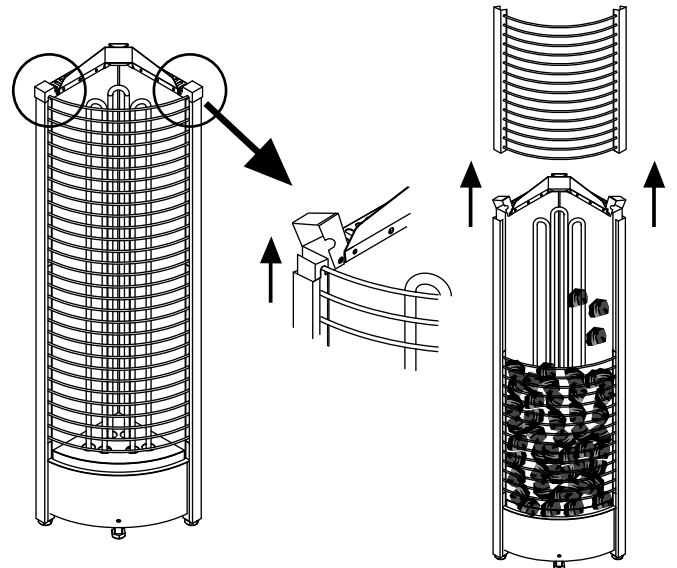
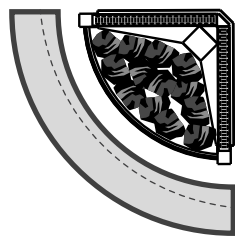
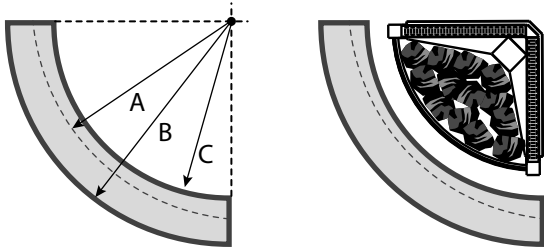
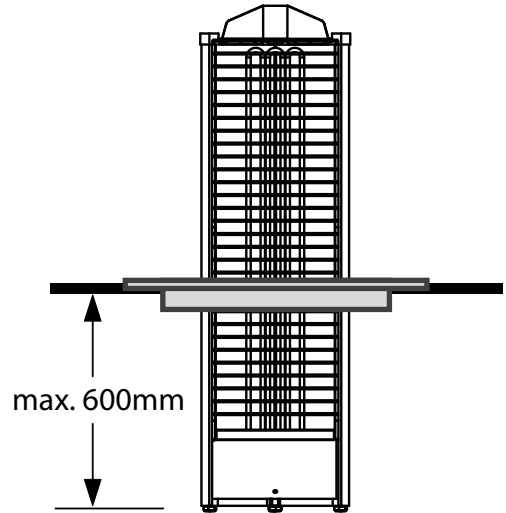
MALLI MODEL	MITAT(mm) DIMENSION		
	A (Leikkaus) (cut)	B	C
TH-GUARD-ST2	310	460	280
TH-GUARD-ST4	390	540	360
TH-GUARD-ST6	490	640	460
TH-GUARD-ST9	570	720	540
TH-GUARD-ST12	670	820	640



CORNER

Teräksinen Upotuskaulus

Stainless Integration Collar



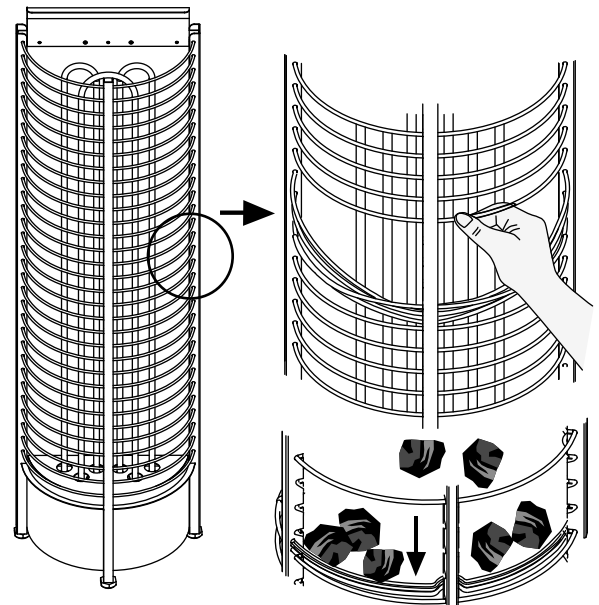
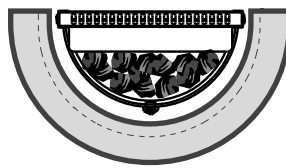
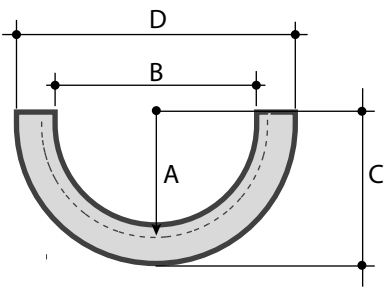
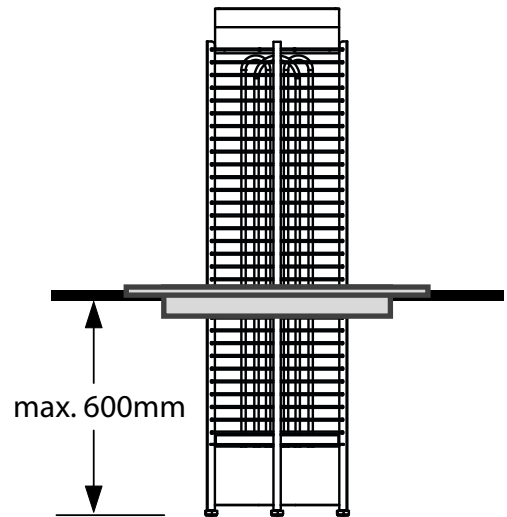
MALLI MODEL	MITAT (mm) DIMENSION		
	A (Leikkaus cut)	B	C
TH-GUARD-ST2-CNR	360	432	342
TH-GUARD-ST4-CNR	405	476	386
TH-GUARD-ST6-CNR	450	522	432



WALL

Teräksinen Upotuskaulus

Stainless Integration Collar



MALLI MODEL	MITAT(mm) DIMENSION			
	A (Leikkaus) (cut)	B	C	D
TH-GUARD-ST2-WL	270	470	353	650
TH-GUARD-ST4-WL	295	520	378	700
TH-GUARD-ST6-WL	360	650	443	830
TH-GUARD-ST9-WL	385	700	468	880
TH-GUARD-ST12-WL	450	830	533	1010